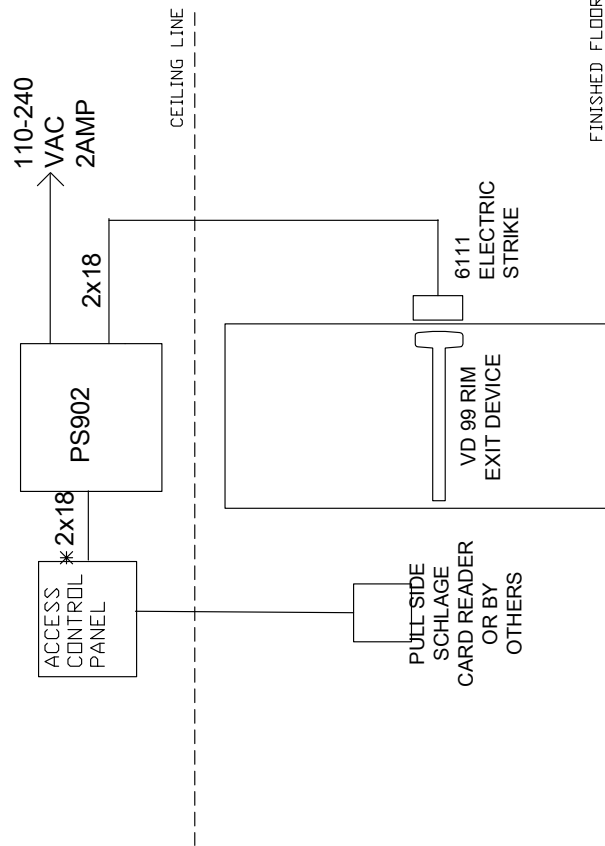


THIS DIAGRAM REPRESENTS A GENERIC CONFIGURATION. CUSTOM WIRING DIAGRAMS CAN BE ACQUIRED BY CONTACTING TECHNICAL SUPPORT.



NOTE:
 *ADDITIONAL WIRING IS REQUIRED. SEE MANUFACTURER INSTALLATION INSTRUCTION

<p>NOTES: 1) ALL LOW VOLTAGE WIRING TO BE STANDARD, MULTI-CONDUCTOR COLOR CODED WITHOUT SPLICES. 2) WIRING TO CONFORM TO APPLICABLE NATIONAL, STATE AND LOCAL ELECTRICAL CODES. 3) REFER TO SPECIFIC PRODUCT INSTALLATION INSTRUCTIONS FOR SPECIFIC WIRING REQUIREMENTS. 4) THIS DRAWING IS FOR GRAPHICAL REPRESENTATION OF PRODUCTS DETAILED IN THE HARDWARE SET ONLY. 5) * CONDUCTOR COUNT TO BE DETERMINED BY ACCESS CONTROL PANEL PROVIDER.</p>	<p>HARDWARE USED: 6111 FSE 24VDC Electric Strike VD 99 Rim Exit device PS902 Power Supply Schlage or Card Reader By Others with Access Control Panel</p> <p>TYPE: 6111 FSE STRIKE WITH SCHLAGE OR CR 180</p>	<p>OPERATION: OPENING: PULL SIDE CARD READER TO UNLOCK ELECTRIC STRIKE TO ALLOW ENTRY. 6111 FSE STRIKE WILL LOCK ON POWER OUTAGE. FREE EGRESS ALWAYS FROM PUSH SIDE OF 99 RIM EXIT DEVICE</p> <p>IN THIS EXAMPLE ALL WIRING CONNECTIONS ARE MADE IN THE PS902 ENCLOSURE.</p> <p>DATE DRAWN: 3-13-13 REVISION DATE: 3-13-13</p>	<p>ALLEGION™</p> <p>FSE 6111 WITH PS902 AND SCHLAGE OR CARD READER BY OTHERS</p> <p>ENGINE NO: 109439 DRAWING CHECKED BY: B DOVE/B DYE</p> <p>REV: C</p>
<p>DRAWING TYPE: RISER DIAGRAM</p>			